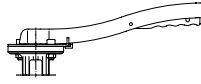


ARI-ZIVA[®]-Z - Fig. 014 - Free of maintenance wafer pattern butterfly valve - soft sealed - industrial range

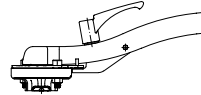
ARI-ZIVA[®]-G - Fig. 015 - Free of maintenance butterfly valve with threaded eyelets - soft sealed - industrial range

ARI-ZIVA[®]-Z / ARI-ZIVA[®]-G
with notch lever



Page 6

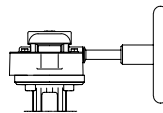
ARI-ZIVA[®]-Z / ARI-ZIVA[®]-G
with lock lever



Page 6

ARI-ZIVA[®]-Z / ARI-ZIVA[®]-G
with worm gear

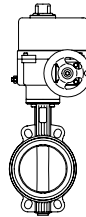
- With variable adjustment
- Self-locking



Page 6

ARI-ZIVA[®]-Z / ARI-ZIVA[®]-G
with electric rotary actuator ARI-OM

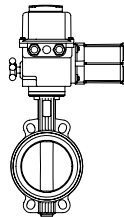
- For short time duty S 2-5 Min.
(Periodic duty S3 30% ED)
- 230V 50Hz, 24V DC, 24V 50Hz
- Enclosure IP 67



Page 7

ARI-ZIVA[®]-Z / ARI-ZIVA[®]-G
with electric rotary actuator Deufra

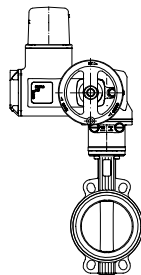
- Type of operation, on/off S4 30%
(for control S4 50%)
- 230V 50Hz (400V 50Hz)
- Enclosure IP 67



Page 8

ARI-ZIVA[®]-Z / ARI-ZIVA[®]-G
with electric rotary actuator Auma

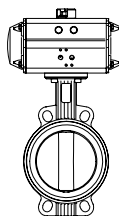
- For short time duty S 2-15 Min.
(for control S4 25%)
- 400V 50Hz (230V 50Hz)
- Enclosure IP 68



Page 9

ARI-ZIVA[®]-Z / ARI-ZIVA[®]-G
with pneumatic rotary actuator
AIR-TORQUE / VT

- Function: Double acting
- Function: Single acting, Spring closes on air failure
(opens)
- Actuating pressure 6 bar (=0,6 MPa)



Page 10 / 11



Fig. 014 -
ARI-ZIVA[®]-Z



Fig. 015 -
ARI-ZIVA[®]-G

Features:

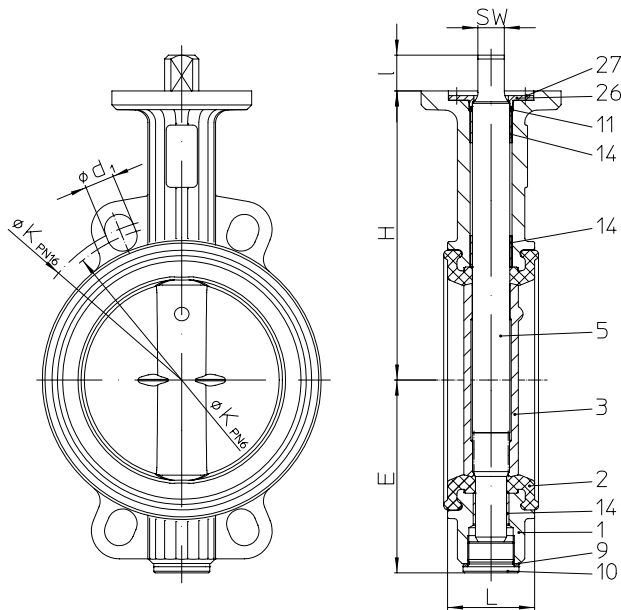
- Soft sealing
- Maintenance-free
- Good flow characteristic due to excellent Zeta-values
- Nodular iron body
- High quality epoxyd coating
- EPDM (W270) / NBR / FPM lining
- Changeable lining, body detachable
- Straight through spindle with 3 supports
- Spindle blow out protection
- Stainless steel disc
- Shaft / Disc connection not in contact with the medium
- Complete insulation possible according to the german „Energy saving order - EnEV“
- Central disc bearing
- Slip on flange DIN EN 1092-1
- EPDM with DIN DVGW Reg. drinking water
- NBR-black with DIN DVGW Reg. Gas

ARI-ZIVA[®]-Z:

- **Wafer type**

ARI-ZIVA[®]-G:

- **Lug type**
- As a pipe-end valve
- Pipeline one-side detachable

Butterfly valve with elongated eyelets - industrial range (SG iron)


Constructions	
 DN25-65	 DN80-100
 DN125-150	 DN200
 DN250-300	 DN350
 DN400	 DN450-600

Considered standards:	• EN 593 (EN-JS1030, EN-JS1049)
-----------------------	---------------------------------

Figure	Nominal pressure	Material	Nominal diameter	Disc	Stem
20.014 (included in 22.014)	PN6	EN-JS1030 (EN-JS1049 on request)	DN25-600	1.4581	1.4021+QT (optional: 1.4571)
21.014 (included in 22.014)	PN10		DN25-600		
22.014	PN16		DN25-600		

Seat:	
• EPDM -10 °C to +130 °C / NBR-black -10 °C to +80 °C / FPM 0 °C to +150 °C (not for hot water useable)	
Max. differential pressure:	
• 16 bar (DN25-150) / 10 bar (DN200-600)	
Actuation arrangement: (refer to page 6-11)	
• Notch lever / Lock lever / Worm gear • Electric actuator (ARI-OM, Deufra, Auma) / Pneumatic actuator (AIR-TORQUE, VT)	
Test:	
Sealing leakage test:	• EN 12266-1 Leakage rate A (DIN 3230 T3 Leakage rate 1)
DVGW-Registration:	• EPDM DN25/32-600 for drinking water acc. to DIN EN 1074-1/-2 • NBR-black DN25/32-600 for gas acc. to DIN EN 13774 (Operating range - 10 °C to + 60 °C)

Parts			
Pos.	Sp.p.	Description	Fig. 20./21./22.014
1		Body	EN-JS1030 (EN-JS1049 on request)
2	x	Seat	EPDM 73 / NBR 73 (black) / FPM 73
3		Disc	1.4581
5		Stem	1.4021+QT (optional: 1.4571)
9	x	Gasket	CU
10	x	Hexagon head screw plug	5.8-A2B
11	x	O-ring	EPDM 73 / NBR 73 / FPM 73
14		Parallel bush	P1
26	x	Washer for shaft protection	1.4021+QT
27	x	Countersunk screw	8.8-A2G
L Spare parts			

Information / restriction of technical rules need to be observed!

Operating and installation instructions can be downloaded at www.ari-armaturen.com.

The engineer, designing a system or a plant, is responsible for the selection of the correct valve.

Resistance and fitness must be verified (contact manufacturer for information, refer to Product overview and Resistance list).

DN	25	32	40	50	65	80	100	125	150	200	250	300	350	400	450 ¹⁾	500	600
----	----	----	----	----	----	----	-----	-----	-----	-----	-----	-----	-----	-----	-------------------	-----	-----

Face-to-face dimension FTF series 20 acc. to DIN EN 558-1																		
L	(mm)	33	33	33	43	46	46	52	56	56	60	68	78	78	102	114	127	154

Dimensions																		
H	(mm)	117	117	123	129	139	147	168	186	202	236	263	292	358	407	442	495	555
E	(mm)	58	58	66	69	81	100	109	124	140	167	203	232	257	298	319	356	418
I	(mm)	19	19	19	19	19	19	23	23	23	24	24	24	29	39	38	48	
SW	(mm)	11	11	11	11	11	11	17	17	17	22	22	22	27	36	36	46	

Kvs-value / Zeta-value Diagram refer to page 13.																		
Kvs-value	(m ³ /h)	20	24	41	98	190	302	550	930	1525	3000	5000	7300	10260	13140	15200	20750	30430
Zeta-value	--	1,52	2,93	2,42	1,03	0,79	0,72	0,53	0,45	0,35	0,29	0,25	0,24	0,23	0,24	0,28	0,23	0,22

Standard-flange dimensions / Hexagon screw (Quantity, Thread, Length)																						
PN6	ØK	(mm)	75	90	100	110	130	150	170	200	225	280	335	395	445	495	--	600	705			
	n x Ød1	(mm)	4x11	4x14	4x14	4x14	4x14	4x18	4x18	4x18	4x18	4x18	4x18	4x22	8x22	4x22	--	4x22	4x26			
	Screws	(pcs.)	4	4	4	4	4	4	4	8	8	8	12	12	12	16	--	16	8	16	8	
	Thread		M10	M12	M12	M12	M12	M16	M16	M16	M16	M16	M16	M20	M20	M20	--	M20	M20	M24	M24	
	Length ²⁾	(mm)	80	80	80	90	90	100	110	120	120	130	140	160	160	180	--	220	50	250	70	
PN10	ØK	(mm)	85	100	110	125	145	160	180	210	240	295	350	400	460	515	565	620	725			
	n x Ød1	(mm)	4x18	4x18	4x18	4x18	4x18	4x18	4x18	4x22	4x22	4x22	4x22	4x22	4x28	4x28	4x28	4x28	4x36			
	Screws	(pcs.)	4	4	4	4	4	8	8	8	8	8	12	12	16	16	16	8	16	8	16	8
	Thread		M12	M16	M16	M16	M16	M16	M16	M20	M20	M20	M20	M20	M24	M24	M24	M24	M24	M27	M27	
	Length ²⁾	(mm)	90	90	90	100	110	110	120	130	130	140	150	160	160	200	200	70	220	50	260	70
PN16	ØK	(mm)	85	100	110	125	145	160	180	210	240	295	355	410	470	525	585	650	770			
	n x Ød1	(mm)	4x14	4x18	4x18	4x18	4x18	4x18	4x18	4x22	4x22	4x26	4x26	4x26	4x30	4x30	4x30	4x33	4x36			
	Screws	(pcs.)	4	4	4	4	4	8	8	8	8	12	12	12	16	16	16	8	16	8	16	8
	Thread		M12	M16	M16	M16	M16	M16	M16	M20	M20	M24	M24	M24	M27	M27	M27	M30	M30	M33	M33	
	Length ²⁾	(mm)	90	90	90	100	110	110	120	130	130	140	160	170	180	220	220	75	260	70	320	90

Weights																		
Fig. 20./21./22.014	(kg)	1,3	1,3	1,6	2,2	2,7	3,4	4,4	6,4	7,9	11,8	21	30,4	46,8	72	128	132,8	217,3

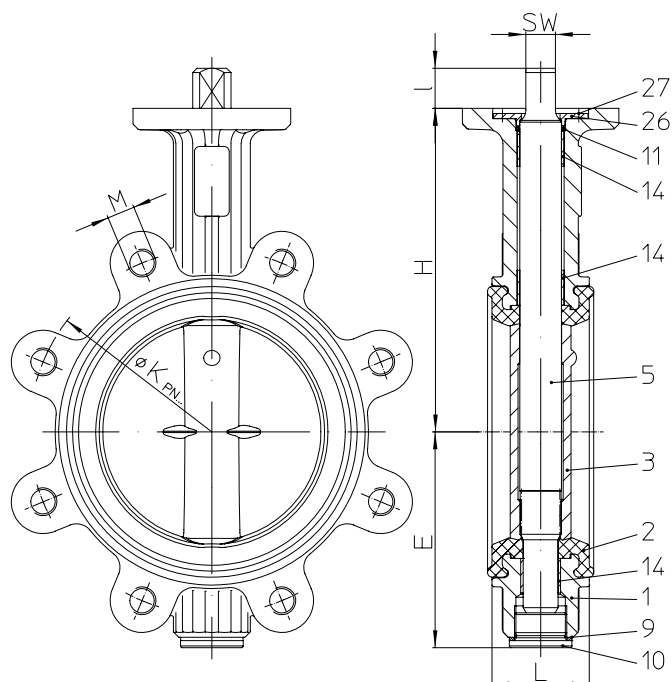
¹⁾ Version: Split shaft

²⁾ The actual screw length required depends on the installation components used on site. Screw lengths must be checked by the customer before ordering.

Mounting variations	
	<p>ZIVA®-Z-Wafer-type-valve Welding neck flanges PN 6 / PN 10 / PN 16 DIN EN 1092-1 / 11 / B1 Hexagon screw DIN EN ISO 4016 W.-No. 4.6 Hexagon nut DIN EN ISO 4034 W.-No. 5</p> <p style="text-align: right;">The installation between, to above deviating flanges, is not or under special care possible. Please consult us.</p>

Pressure-temperature-ratings Intermediate values for max. permissible operational pressures can be determined by linear interpolation of the given temperature / pressure chart.

acc. to DIN EN 1092-2	PN	-20°C to <-10°C	-10°C to 120°C	130°C	150°C
EN-JS1030	16 (bar)	--	16	15,8	15,5
EN-JS1049	16 (bar)	16	16	15,8	15,5

Butterfly valve with threaded eyelets - industrial range (SG iron)


Considered standards:	• EN 593 (EN-JS1030, EN-JS1049)
-----------------------	---------------------------------

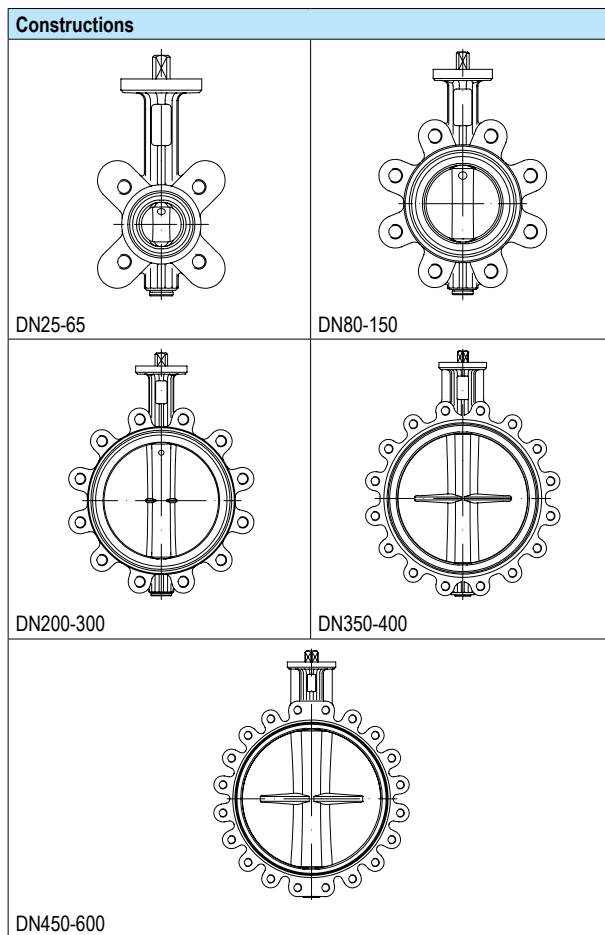


Figure	Nominal pressure	Material	Nominal diameter	Disc	Stem
21.015	PN10	EN-JS1030	DN25-600	1.4581	1.4021+QT (optional: 1.4571)
22.015	PN16	(EN-JS1049 on request)	DN25-600		

Seat:	
• EPDM -10 °C to +130 °C / NBR-black -10 °C to +80 °C / FPM 0 °C to +150 °C (not for hot water useable)	
Max. differential pressure:	
• 16 bar (DN25-150) / 10 bar (DN200-600)	
Actuation arrangement: (refer to page 6-11)	
• Notch lever / Lock lever / Worm gear • Electric actuator (ARI-OM, Deufra, Auma) / Pneumatic actuator (AIR-TORQUE, VT)	
Test:	
Sealing leakage test:	• EN 12266-1 Leakage rate A (DIN 3230 T3 Leakage rate 1) • EPDM DN25/32-600 for drinking water acc. to DIN EN 1074-1/-2
DVGW-Registration:	• NBR-black DN25/32-600 for gas acc. to DIN EN 13774 (Operating range - 10 °C to + 60 °C)

Parts			
Pos.	Sp.p.	Description	Fig. 20./21./22.014
1		Body	EN-JS1030 (EN-JS1049 on request)
2	x	Seat	EPDM 73 / NBR 73 (black) / FPM 73
3		Disc	1.4581
5		Stem	1.4021+QT (optional: 1.4571)
9	x	Gasket	CU
10	x	Hexagon head screw plug	5.8-A2B
11	x	O-ring	EPDM 73 / NBR 73 / FPM 73
14		Parallel bush	P1
26	x	Washer for shaft protection	1.4021+QT
27	x	Countersunk screw	8.8-A2G
L Spare parts			

Information / restriction of technical rules need to be observed!

Operating and installation instructions can be downloaded at www.ari-armaturen.com.

The engineer, designing a system or a plant, is responsible for the selection of the correct valve.

Resistance and fitness must be verified (contact manufacturer for information, refer to Product overview and Resistance list).

DN	25	32	40	50	65	80	100	125	150	200	250	300	350	400	450 ¹⁾	500	600
----	----	----	----	----	----	----	-----	-----	-----	-----	-----	-----	-----	-----	-------------------	-----	-----

Face-to-face dimension FTF series 20 acc. to DIN EN 558-1																		
L	(mm)	33	33	33	43	46	46	52	56	56	60	68	78	78	102	114	127	154

Dimensions																		
H	(mm)	117	117	123	129	139	147	168	186	202	236	263	292	358	407	442	495	555
E	(mm)	58	58	66	69	81	100	109	124	140	167	203	232	257	298	319	356	418
I	(mm)	19	19	19	19	19	19	23	23	23	24	24	24	24	29	39	38	48
SW	(mm)	11	11	11	11	11	11	17	17	17	22	22	22	27	36	36	46	

Kvs-value / Zeta-value																		
																	Diagram refer to page 13.	
Kvs-value	(m ³ /h)	20	24	41	98	190	302	550	930	1525	3000	5000	7300	10260	13140	15200	20750	30430
Zeta-value	--	1,52	2,93	2,42	1,03	0,79	0,72	0,53	0,45	0,35	0,29	0,25	0,24	0,23	0,24	0,28	0,23	0,22

Standard-flange dimensions / Hexagon screw (Quantity, Thread, Length)																				
PN10	ØK	(mm)	85	100	110	125	145	160	180	210	240	295	350	400	460	515	565	620	725	
	n x M	(mm)	4xM12	4xM16	4xM16	4xM16	4xM16	8xM16	8xM16	8xM16	8xM20	8xM20	12xM20	12xM20	16xM20	16xM24	20xM24	20xM24	20x27	
	Screws	(pcs.)	8	8	8	8	8	16	16	16	16	16	24	24	32	32	32	8	32	8
	Thread		M12	M16	M16	M16	M16	M16	M16	M16	M20	M20	M20	M20	M20	M24	M24	M24	M24	M27
	Length ²⁾	(mm)	30	30	30	35	35	40	40	45	45	50	55	55	60	70	80	70	85	50
PN16	ØK	(mm)	85	100	110	125	145	160	180	210	240	295	355	410	470	525	585	650	770	
	n x M	(mm)	4xM12	4xM16	4xM16	4xM16	4xM16	8xM16	8xM16	8xM16	8xM20	12xM20	12xM24	12xM24	16xM24	16xM27	20xM27	20xM30	20xM33	
	Screws	(pcs.)	8	8	8	8	8	16	16	16	16	24	24	24	32	32	32	8	32	8
	Thread		M12	M16	M16	M16	M16	M16	M16	M16	M20	M20	M24	M24	M24	M27	M27	M27	M30	M30
	Length ²⁾	(mm)	30	30	30	35	35	40	40	45	45	50	55	60	60	75	85	75	90	70

Weights																		
Fig. 21./22.015	(kg)	1,8	1,8	2	2,7	3,2	4,8	6,2	8,6	10,5	15,8	26,6	37,6	60	93,4	129	175,7	286,5

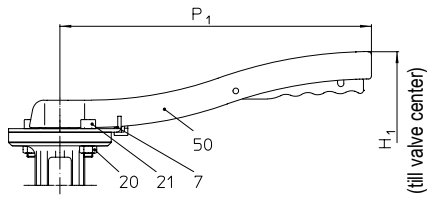
¹⁾ Version: Split shaft

²⁾ The actual screw length required depends on the installation components used on site. Screw lengths must be checked by the customer before ordering.

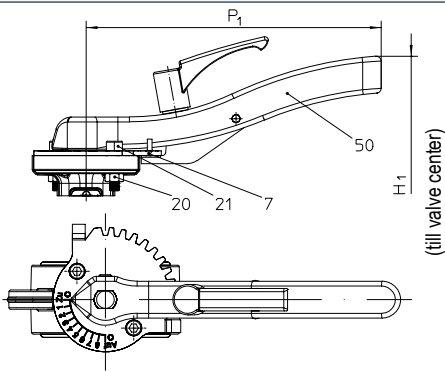
Mounting variations		
		<p>When used on end of line applications, a safety precaution (blind flange, etc.) is recommended.</p> <p>To ensure the seat tightness, a blind or counter flange is necessary.</p> <p>The installation between deviating flanges is not or only under special care possible. Please consult us.</p> <p>For all installation, modification or maintenance work, please observe regulations in force and the ARI-operating instructions.</p>
<p>ZIVA®-G-Wafer-type-valve Welding neck flanges PN 10 / PN 16 DIN EN 1092-1 / 11 / B1 Hexagon screw DIN EN ISO 4016 W.-No. 4.6</p>	<p>ZIVA®-G-Pipe-end-valve Welding neck flanges PN 10 / PN 16 DIN EN 1092-1 / 11 / B1 Hexagon screw DIN EN ISO 4016 W.-No. 4.6</p>	

Pressure-temperature-ratings Intermediate values for max. permissible operational pressures can be determined by linear interpolation of the given temperature / pressure chart.

acc. to DIN EN 1092-2	PN	-20°C to <-10°C	-10°C to 120°C	130°C	150°C
EN-JS1030	16 (bar)	--	16	15,8	15,5
EN-JS1049	16 (bar)	16	16	15,8	15,5

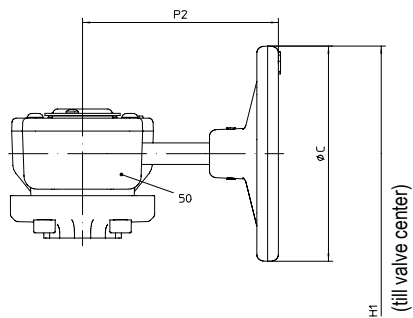
ARI-ZIVA®-Z / ARI-ZIVA®-G with manual actuation arrangement
Notch lever


For diameters larger than DN 125 we recommend using a gear mechanism. Gear recommended for inaccessible installation (see below).

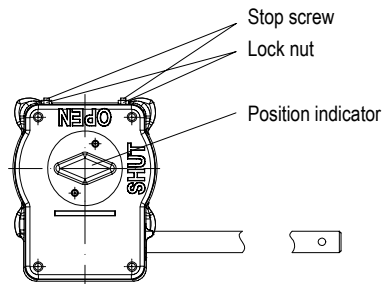
Lock lever


- Cap convertible for lock lever
- Variable adjustment (with 0 - 90° angle positioning) (With variable adjustment)

For diameters larger than DN 125 we recommend using a gear mechanism. Gear recommended for inaccessible installation (see below).

Worm gear


- With variable adjustment
- Self-locking



The SHUT-position can be adjusted to $\pm 5^\circ$ by a locking screw.

Parts		Fig. 20./21./22.014; 21./22.015																	
Pos.	Sp.p.	Description																	
7	x	Notched plate	S235JR, 1.0037 (KTL-coating)																
20	x	Hexagon nut	5-A2B																
21	x	Cheese head screw	8.8-A2B																
50		Notch lever	EN-GJS-400-15, EN-JS1030 (KTL-coating)																
50		Lock lever	DC01, 1.0330 (surface treatment)																
50		Worm gear																	
		L Spare parts																	

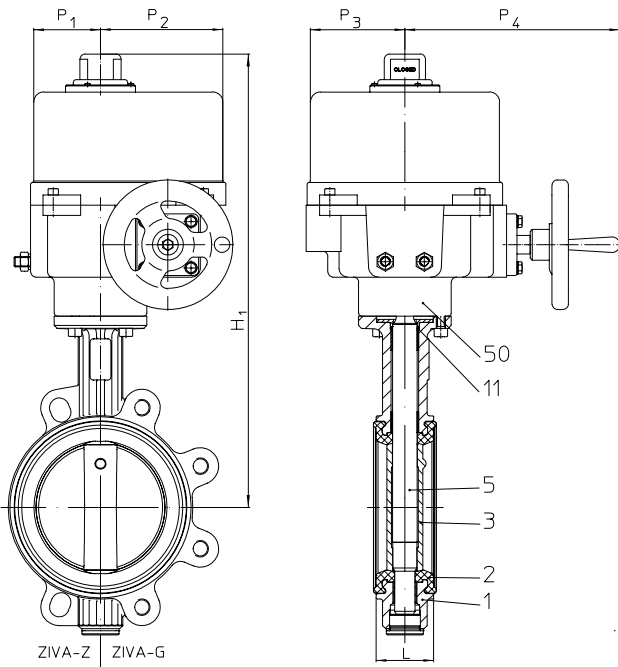
DN	25	32	40	50	65	80	100	125	150	200	250	300	350	400	450	500	600
----	----	----	----	----	----	----	-----	-----	-----	-----	-----	-----	-----	-----	-----	-----	-----

Dimensions

H1	with lever	(mm)	180	180	186	192	202	210	231	257	273	307	--	--	--	--	--	--	
	with gear	(mm)	199	199	205	211	221	229	250	268	284	339	415	445	510	591	780	833	903
P1		(mm)	184	184	184	184	184	184	184	273	273	273	--	--	--	--	--	--	
P2		(mm)	147	147	147	147	147	147	147	147	147	147	249	244	244	333	361	361	365
ØC		(mm)	125	125	125	125	125	125	125	125	125	125	250	250	250	300	600	600	600
Type of gear			242-10S	242-10S	242-10S	242-10S	242-10S	242-10S	242-10S	242-10M	242-10M	242-10M	242-20M	242-30S	242-30S	242-30L	242-40M	242-40M	AB1250N

Weights

ZIVA®-Z	with lever	(kg)	2	2	2,4	2,9	3,5	4,1	5,1	7,7	9,2	13,1	--	--	--	--	--	--	--
ZIVA®-G		(kg)	2,6	2,5	2,7	3,5	4,1	5,6	6,9	9,9	11,8	17,1	--	--	--	--	--	--	--
ZIVA®-Z	with gear	(kg)	3,2	3,2	3,5	4,1	4,6	5,3	6,3	8,3	9,8	13,7	26	35,4	51,8	80,5	139	164	248
ZIVA®-G		(kg)	3,7	3,7	3,9	4,6	5,2	6,8	8,1	10,5	12,4	17,7	31,6	42,6	65	102	140	207	317

Butterfly valve with electric rotary actuator


Type: ARI-OM
<ul style="list-style-type: none"> • For short time duty S 2-5 Min. (Periodic duty S3 30% duty cycle, max. 60 c/h, max. modulating torque = ca. 50% rated torque) • Enclosure IP 67 • Temperature guard in the motor
Voltages:
<ul style="list-style-type: none"> • 230V 50Hz • 24V AC/DC (Other voltages on request)
Accessories:
<ul style="list-style-type: none"> • Potentiometer (1000 Ohm) • Positioner 4-20 mA • Position-transmitter 4-20 mA • Heating • Travel switch

For connection refer to terminal connection in the operating instructions of the actuator !

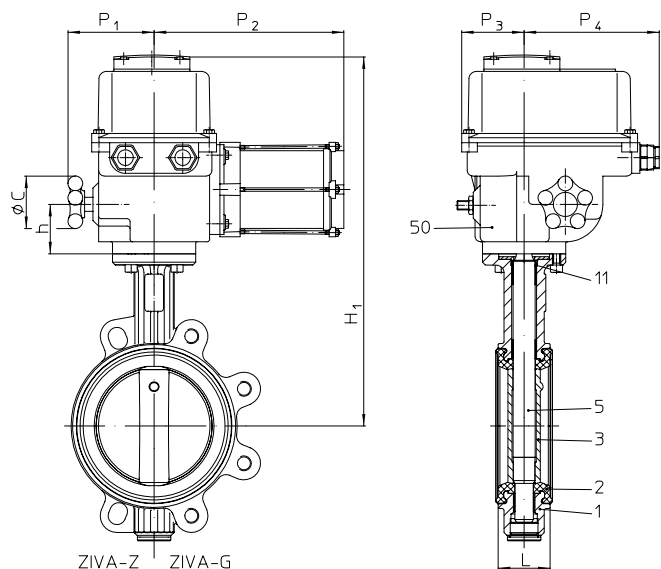
Seat: EPDM / NBR-black / FPM												
DN	25	32	40	50	65	80	100	125	150	200	250	300*

Actuator												
Type of actuator	OM-1						OM-A	OM-2	OM-3	OM-4		
Operating time (s)	13						24	17	26	18		

Dimensions													
H1	(mm)	267	267	273	279	289	297	368	441	457	491	583	612
P1	(mm)	35	35	35	35	35	35	54	82	82	82	94	94
P2	(mm)	80	80	80	80	80	80	54	118	118	118	126	126
P3	(mm)	54	54	54	54	54	54	54	100	100	100	110	110
P4	(mm)	54	54	54	54	54	54	54	230	230	230	262	262

Weights													
ZIVA®-Z	(kg)	3,3	3,3	3,6	4,2	4,7	5,4	7,4	15,4	16,9	20,8	38,5	47,9
ZIVA®-G	(kg)	3,8	3,8	4,0	4,7	5,3	6,8	9,2	17,6	19,5	24,8	44,1	55,1

* Max. differential pressure against tight shut off 6 bar.
 Operating and installation instructions can be downloaded at www.ari-armaturen.com.

Butterfly valve with electric rotary actuator

Type: Deufra

- Type of operation on/off S4 30% (optional: for control S4 50%)
- Enclosure IP 67
- Temperature guard in the motor
- Heating

Voltages:

- 230V 50Hz
 - 400V 50Hz (nicht bei SQ4)
- Other voltages on request

Accessories:

- Travel switch
- Potentiometer
- Valve positioner 0-10V / 4-20mA
- Position-transmitter

Special actuators:

- Reset to start on failure Type FQ

For connection refer to terminal connection in the operating instructions of the actuator !

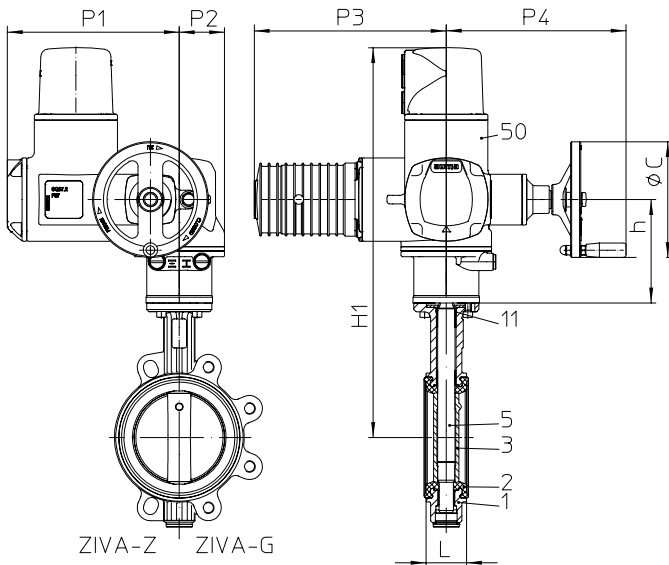
Seat: EPDM / NBR-black / FPM																	
DN	25	32	40	50	65	80	100	125	150	200	250	300	350	400	450	500	600

Actuator																	
Type of actuator	SQ4						SQ6	SQ10	SQ15	SQ25	SQ60	SQ120			SQ250		
Operating time (s)	6						6	6	15	10	30	30			70		

Dimensions																		
H1	(mm)	341	341	347	353	363	371	392	410	426	460	443	517	583	618	655	706	836
h	(mm)	53	53	53	53	53	53	53	53	53	53	100	100	100	86	86	86	70
ØC	(mm)	60	60	60	60	60	60	60	60	60	100	160	250	250	250	250	250	300
P1	(mm)	90	90	90	90	90	90	90	90	90	98	167	169	169	172	172	172	475
P2	(mm)	160	160	160	160	160	160	202	202	202	260	312	340	340	392	392	392	188
P3	(mm)	65	65	65	65	65	65	65	65	65	65	89	89	89	133	133	133	130
P4	(mm)	125	125	125	125	125	125	125	125	125	125	226	226	226	284	284	284	333

Weights																		
ZIVA®-Z	(kg)	7,3	7,3	7,6	8,2	8,7	9,4	10,4	13,4	14,9	19,8	41	49,4	65,8	101	159	161,8	287,2
ZIVA®-G	(kg)	7,8	7,8	8	8,7	9,3	10,9	12,2	15,6	17,5	23,8	46,6	56,6	79	122,4	160	204,7	356,2

Operating and installation instructions can be downloaded at www.ari-armaturen.com.

Butterfly valve with electric rotary actuator


Type: Auma
<ul style="list-style-type: none"> • For short time duty S 2-15 Min. (for control S4 25%) • Enclosure IP 68 • Temperature guard in the motor • Heating
Voltages:
<ul style="list-style-type: none"> • 400V 50Hz • 230V 50Hz (Other voltages on request)
Accessories:
<ul style="list-style-type: none"> • Travel switch • Potentiometer • Auma Matic • Valve positioner 0-10V / 4-20mA • Position-transmitter

For connection refer to terminal connection in the operating instructions of the actuator !

Seat: EPDM / NBR-black / FPM																		
DN	25	32	40	50	65	80	100	125	150	200	250	300	350	400	450	500	600	

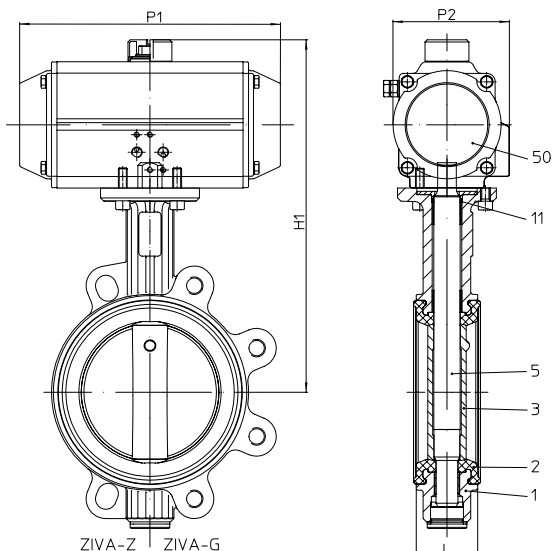
Actuator																		
Type of actuator	SQ05.2											SQ07.2	SQ10.2	SQ12.2	SA07.5 +VZ+SG			
Operating time (s)	16											16	16	22	69			

Dimensions																		
H1	(mm)	461	461	467	473	483	491	512	530	546	580	633	653	719	832	869	920	867
h	(mm)	134	134	134	134	134	134	134	134	134	134	160	151	151	215	215	215	115
ØC	(mm)	160	160	160	160	160	160	160	160	160	160	160	200	200	200	200	200	160
P1	(mm)	238	238	238	238	238	238	238	238	238	238	238	248	248	248	248	248	194
P2	(mm)	62,5	62,5	62,5	62,5	62,5	62,5	62,5	62,5	62,5	62,5	62,5	80	80	105	105	105	537
P3	(mm)	265	265	265	265	265	265	265	265	265	265	265	265	265	265	265	265	139
P4	(mm)	249	249	249	249	249	249	249	249	249	249	249	254	254	254	254	254	374

Weights																		
ZIVA®-Z	(kg)	24,3	24,3	24,6	25,2	25,7	26,4	27,4	29,4	30,9	34,8	44,5	57,4	73,8	104	161	164,8	286,7
ZIVA®-G	(kg)	24,8	24,8	25	25,7	26,2	27,8	29,2	31,6	33,5	38,8	50,1	64,6	87	125,4	163	207,7	356

Operating and installation instructions can be downloaded at www.ari-armaturen.com.

Butterfly valve with pneumatic rotary actuator



Type: AIR TORQUE	
<ul style="list-style-type: none"> • Function: double acting single acting, Spring closes on air failure (opens) • Actuating pressure 6 bar (=0,6 MPa) • Position indicator 	
Accessories:	
<ul style="list-style-type: none"> • Limit switch open / close • Solenoid valve • Exhaust silencer with throttling function • Valve positioner Other actuating pressures on request	
Solenoid valve: for control of double acting actuators 5/2 - way	
Solenoid valve: for control of single acting actuators 3/2 - way	

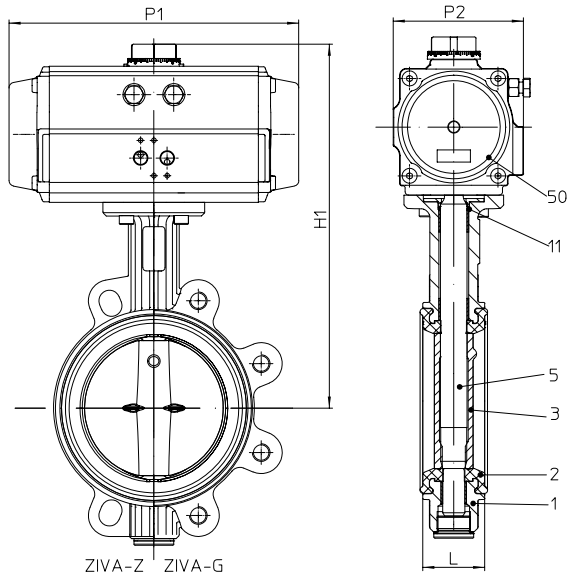
For connection refer to terminal connection in the operating instructions of the actuator !

Seat: EPDM / NBR-black / FPM																	
DN	25	32	40	50	65	80	100	125	150	200	250	300	350	400	450	500	600

double acting	Actuator																		
	Type of actuator	DR30						DR60	DR100	DR150	DR220	DR450	DR600	DR900	DR1200	DR3000			
	Dimensions																		
	H1	(mm)	222	222	228	234	244	252	290	321	337	383	438	499	565	625	713	782	935
	P1	(mm)	159	159	159	159	159	159	211	248	248	269	315	409	409	438	474	543	728
P2	(mm)	83	83	83	83	83	83	95	106	106	123	141	172	172	187	200	222	329	
Weights																			
ZIVA®-Z	(kg)	2,9	2,9	3,2	3,8	4,3	5	7	10,2	11,7	17,2	29,4	44,9	61,3	91,8	153	186,3	300,2	
ZIVA®-Z	(kg)	3,4	3,4	3,6	4,3	4,9	6,5	8,9	12,4	14,3	21,2	35	52	74,5	113,2	154	211,2	369,5	

single acting	Actuator																		
	Type of actuator (closes)	SC 30-6			SC 60-6	SC 100-6	SC 150-6	SC 220-6	SC 300-6	SC 450-6	SC 600-6	SC 1200-6	SC 2000-6	SC 2000-6	SC 3000-6	--			
	Type of actuator (opens)	SO 30-5			SO 60-5	SO 100-5	SO 150-5	SO 220-5	SO 300-5	SO 450-5	SO 600-5	SO 900-5	SO 1200-5	SO 2000-5	SO 2000-5	SO 3000-5	--		
	Dimensions																		
	H1	(mm)	222	222	228	234	261	282	315	361	389	443	490	587	653	756	791	867	--
P1	(mm)	159	159	159	159	211	248	269	315	345	409	438	543	543	621	605	684	--	
P2	(mm)	83	83	83	83	95	106	123	141	152	172	187	222	222	262	262	330	--	
Weights																			
ZIVA®-Z	(kg)	3	3	3,3	3,9	5,9	7,8	10,9	16,2	20,5	29,9	45	75,5	91,9	136,2	162	235	--	
ZIVA®-Z	(kg)	3,5	3,5	3,7	4,2	6,5	9,3	12,7	18,4	23,1	33,9	50,6	82,7	105,1	157,6	163	277,9	--	

Operating and installation instructions can be downloaded at www.ari-armaturen.com.

Butterfly valve with pneumatic rotary actuator


Type: VT	
<ul style="list-style-type: none"> • Function: double acting single acting, Spring closes on air failure (opens) • Actuating pressure 6 bar (=0,6 MPa) 	
Accessories:	
<ul style="list-style-type: none"> • Limit switch open / close • Solenoid valve • Throttling • Valve positioner 	
Other actuating pressures on request	
Solenoid valve: for control of double acting actuators 5/2 - way	
Solenoid valve: for control of single acting actuators 3/2 - way	

For connection refer to terminal connection in the operating instructions of the actuator !

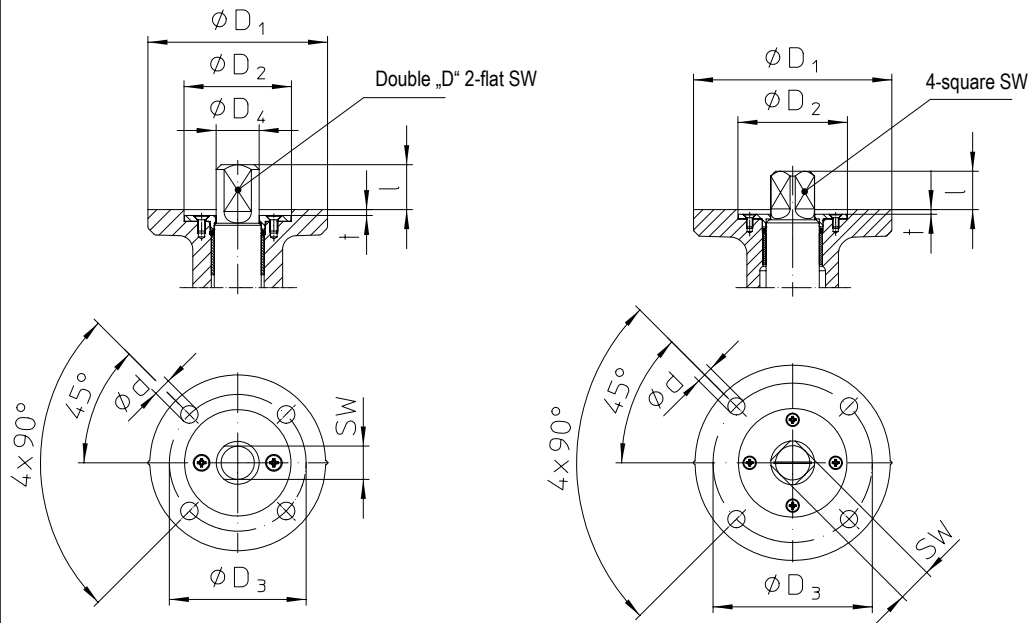
Seat: EPDM / NBR-black / FPM																	
DN	25	32	40	50	65	80	100	125	150	200	250	300	350	400	450	500	600

double acting	Actuator																		
	Type of actuator	VT065DN						VT075DN	VT095DN	VT110DN	VT125DN	VT140DN	VT160DN	VT190DN	VT210DN	VT240DN			
	Abmessungen																		
	H1	(mm)	226	226	232	238	248	256	288	329	345	392	454	500	588	669	704	780	877
	P1	(mm)	189	189	189	189	189	189	210	264	264	266	337	377	414	490	490	550	602
P2	(mm)	90	90	90	90	90	90	103	126	126	139	157	175	196	217	217	236	262	
Weights																			
ZIVA®-Z	(kg)	3,3	3,3	3,6	4,2	4,7	5,4	7,3	11,5	13	17,9	31,9	44,2	66,9	100,4	156,4	172,8	269,9	
ZIVA®-G	(kg)	3,8	3,8	4	4,7	5,2	6,8	9,1	13,7	15,6	21,9	37,5	51,4	80,1	121,8	157,4	215,7	339,1	

single acting spring closes	Actuator																		
	Type of actuator	VT065 S10N FC				VT085 S12N FC	VT095 S12N FC	VT125 S12N FC	VT140 S12N FC	VT160 S12N FC	VT210 S11N FC	VT240 S12N FC	VT270 S12N FC	VT350 S12N FC					
	Abmessungen																		
	H1	(mm)	226	226	232	238	271	279	311	377	393	444	493	577	643	739	803	856	995
	P1	(mm)	189	189	189	189	229	229	264	337	337	377	414	550	550	602	672	672	845
P2	(mm)	90	90	90	90	112	112	126	157	157	175	196	236	236	262	295	295	385	
Weights																			
ZIVA®-Z	(kg)	3,5	3,5	3,8	4,4	7	7,7	10,3	18,9	20,4	27,7	44,8	78,8	95,2	149,8	218,6	223,4	405,4	
ZIVA®-G	(kg)	4	4	4,2	4,9	7,5	9,1	12,1	21,1	23	31,7	50,4	86	108,4	171,2	219,6	266,3	474,6	

single acting spring opens	Actuator																		
	Type of actuator	VT065 S10N FO				VT075 S11N FO	VT085 S11N FO	VT095 S10N FO	VT125 S11N FO	VT160 S11N FO	VT190 S11N FO	VT210 S11N FO	VT240 S11N FO	VT270 S10N FO	VT350 S11N FO				
	Abmessungen																		
	H1	(mm)	226	226	232	238	259	279	311	377	393	427	493	554	620	692	764	856	995
	P1	(mm)	189	189	189	189	210	229	264	337	337	337	414	490	490	550	602	672	845
P2	(mm)	90	90	90	90	103	112	126	157	157	157	196	217	217	236	262	295	385	
Weights																			
ZIVA®-Z	(kg)	3,5	3,5	3,8	4,4	6	7,7	10,3	18,9	20,4	24,3	44,8	64,2	80,6	120,3	205,8	223,4	405,4	
ZIVA®-G	(kg)	4	4	4,2	4,9	6,5	9,1	12,1	21,1	23	28,3	50,4	71,4	93,8	141,7	206,8	266,3	474,6	

Operating and installation instructions can be downloaded at www.ari-armaturen.com.

Actuator flange connection

DN25-200
DN250-600

DN		25	32	40	50	65	80	100	125	150	200	250	300	350	400	450	500	600	
Connection EN ISO 5211					F 05				F 07				F 10			F 14		F16	
Double „D“ 2-flat SW	(mm)				11 _{d11}				17 _{d11}				--			--		--	
4-square SW	(mm)				--				--				22 _{d11}		27 _{d11}	36 _{d11}		46 _{d11}	
Ød	(mm)				7				9				11			18		22	
ØD1	(mm)				65				90				125			175		210	
ØD2	(mm)				35				55				70			100		130	
ØD3	(mm)				50				70				102			140		165	
ØD4	(mm)				14				22				--			--		--	
l	(mm)				19				23				24			29	39	38	48
t	(mm)				3				3				3			4		5	

Please indicate when ordering:

- Figure-No.
- Nominal pressure
- Nominal diameter
- Soft seal seat material
- Stem / disc material
- Actuation arrangement
- Special design / accessories

Please indicate in your order, if the valves are to be installed in hazardous areas (ATEX).

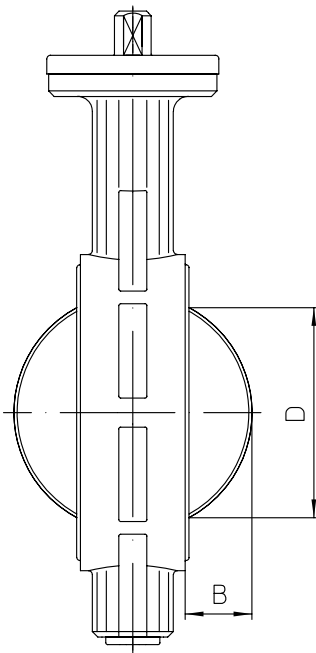
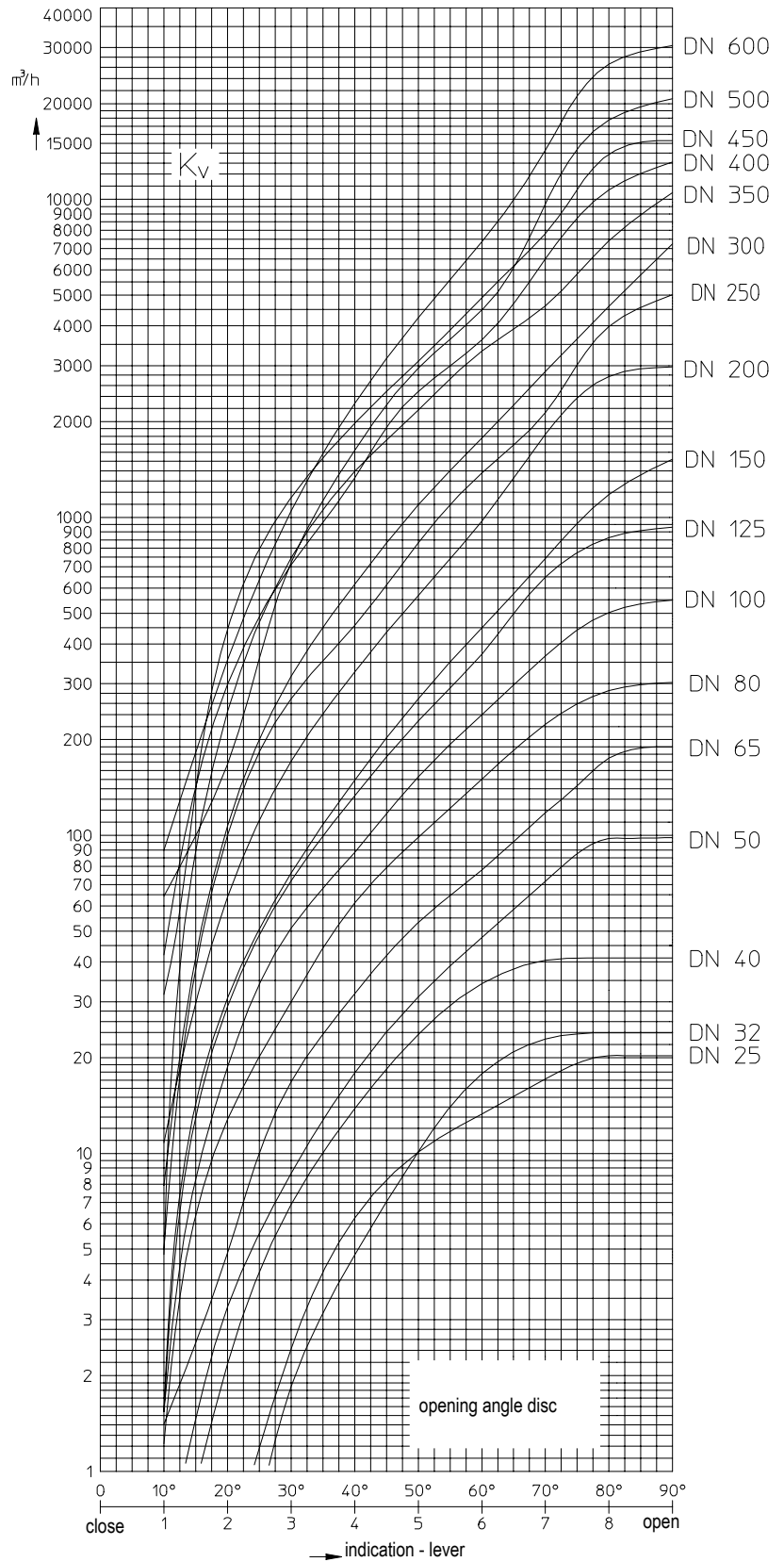
Example:

Figure 22.012; Nominal pressure PN16; Nominal diameter DN100; Seat aus EPDM, Washer/Stem of 1.4581/1.4021, with notch lever

Kvs-value / Zeta-value		25	32	40	50	65	80	100	125	150	200	250	300	350	400	450	500	600
DN		25	32	40	50	65	80	100	125	150	200	250	300	350	400	450	500	600
Kvs-value	(m³/h)	20	24	41	98	190	302	550	930	1525	3000	5000	7300	10260	13140	15200	20750	30430
Zeta-value	--	1,52	2,93	2,42	1,03	0,79	0,72	0,53	0,45	0,35	0,29	0,25	0,24	0,23	0,24	0,28	0,23	0,22

max. permissible flow speed:

- Liquids $\leq 4\text{m/s}$
- Gas and vapour $\leq 30\text{m/s}$



Difference between disc outside-diameter and face-to-face		25	32	40	50	65	80	100	125	150	200	250	300	350	400	450	500	600
DN		25	32	40	50	65	80	100	125	150	200	250	300	350	400	450	500	600
B	(mm)	--	--	5	5	11	18	25	36	48	71	91	112	132	147	168	188	224
D	(mm)	--	--	26	29	49	68	88	115	142	194	243	292	333	383	436	486	580

Actuator selection (Seat: EPDM / NBR-black / FPM)																			
DN		25-50	65	80	100	125	150	200	250	300	350	400	450	500	600				
Connection-Flange EN ISO 5211		F 05				F 07			F 10			F 14		F 16					
Double „D“ 2-flat SW		(mm)		11 _{d11}		17 _{d11}			--			--		--					
4-square SW		(mm)		--		--			22 _{d11}		27 _{d11}	36 _{d11}		46 _{d11}					
Manual actuation		Size		I		II			--										
		Size		I		II			--										
		Type		242-10S		242-10M			242-20M	242-30S		242-30L	242-40M	242-40M	AB 1250N				
Electric rotary actuator		Type		OM-1		OM-A	OM-2	OM-3		OM-4		--							
		Type		SQ4		SQ6		SQ10	SQ15	SQ25	SQ60		SQ120		SQ250				
		Type		SQ05.2					SQ07.2		SQ10.2		SQ12.2		SA07.5 +VZ4.3 +SG 125.3				
Pneumatic rotary actuator		double acting		Type		DR30		DR60	DR100	DR150	DR220	DR450	DR600	DR900	DR1200	DR3000			
		single acting		Type		SC 30-6	SC 60-6	SC 100-6	SC 150-6	SC 220-6	SC 300-6	SC 450-6	SC 600-6	SC 1200-6		SC 2000-6	SC 2000-6	SC 3000-6	on request
		Spring opens		Type		SO 30-5	SO 60-5	SO 100-5		SO 150-5	SO 220-5		SO 450-5	SO 900-5		SO 1200-5	SO 2000-6	SO 2000-5	
		double acting		Typ		VT065DN		VT075DN	VT095DN	VT110DN	VT125DN	VT140DN	VT160DN	VT190DN		VT210DN	VT240DN		
		single acting		Typ		VT065 S10N FC	VT085 S12N FC		VT095 S12N FC	VT125 S12N FC		VT140 S12N FC	VT160 S12N FC	VT210 S11N FC		VT240 S12N FC	VT270 S12N FC		VT350 S12N FC
		Spring opens		Typ		VT065 S10N FO	VT075 S11N FO	VT085 S11N FO	VT095 S10N FO	VT125 S11N FO			VT160 S11N FO	VT190 S11N FO		VT210 S11N FO	VT240 S11N FO	VT270 S11N FO	VT350 S11N FO