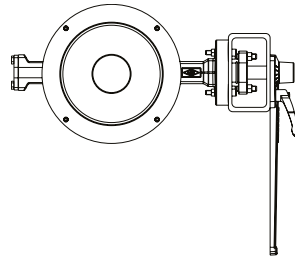


ARI-ZEDOX® - Fig. 120 - Wafer type high performance valve - Double offset

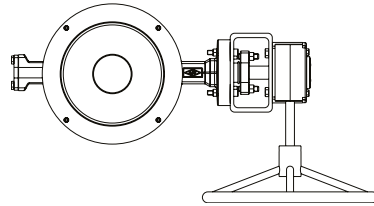
ARI-ZEDOX®
with hand lever



Page 4



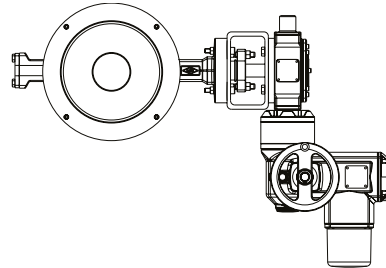
ARI-ZEDOX®
with worm gear



Page 5

Fig. 120 -
ARI-ZEDOX® wafer type - short pattern

ARI-ZEDOX®
with electric rotary actuator Auma

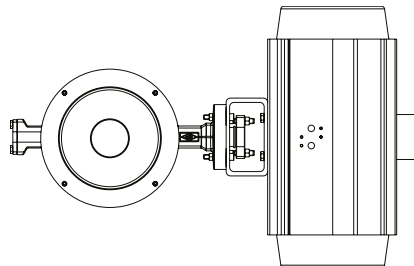


Page 6



DN80-DN800
honeycomb
shape disc

ARI-ZEDOX®
with pneumatic actuator



Page 8

ARI-ZEDOX®
with hydraulic actuator

on request

Features:

- Short pattern, middle pattern and long pattern (K1, K2, K3)
- Cast steel / stainless steel body
- Double offset construction:
Rotary movement (90°) without wear or friction
- Metallic or PTFE+C sealing
- Bi-directional tightness up to differential pressure 25 bar
- Replaceable seat ring
- Firesafe acc. to ISO 10497/ BS6755
- ATEX

Wafer type high performance valve (Cast steel, Stainless steel)

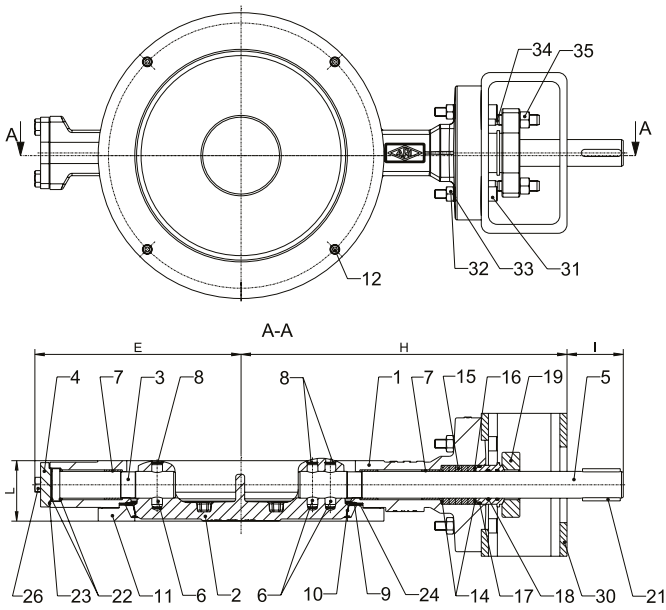


Figure	Nominal pressure	Material	Nominal diameter	Sealing elements
31.120 ¹⁾	PN 10	1.0619+QT	DN 80-700	PTFE+C (TS)
			DN 80-800	Stainless steel (CS)
32.120 ¹⁾	PN 16	1.0619+QT	DN 80-700	PTFE+C (TS)
			DN 80-800	Stainless steel (CS)
34.120	PN 25	1.0619+QT	DN 80-700	PTFE+C (TS)
			DN 80-800	Stainless steel (CS)
35.120	PN 40	1.0619+QT	DN 80-200	Stainless steel (CS)
51.120 ¹⁾	PN 10	1.4408	DN 80-700	PTFE+C (TS)
			DN 80-800	Stainless steel (CS)
52.120 ¹⁾	PN 16	1.4408	DN 80-700	PTFE+C (TS)
			DN 80-800	Stainless steel (CS)
54.120	PN 25	1.4408	DN 80-700	PTFE+C (TS)
			DN 80-800	Stainless steel (CS)
55.120	PN 40	1.4408	DN 80-200	Stainless steel (CS)

Face-to-face dimension acc. to ISO 5752 / DIN EN 558-1.

Series 20 DIN 3202 K1 (short pattern)

Series 25 DIN 3202 K2 (middle pattern)

Series 16 DIN 3202 K3 (long pattern)

Compatible with ANSI 150 flange

¹⁾ Sales article (in order confirmation) over 34./54.120

Sealing element:	
• PTFE+C (TS) ²⁾	-40°C to 180°C
• Stainless steel (CS)	-40°C to 260°C
²⁾ Observe operating limits with sealing PTFE+C, refer to page 3	
Max. differential pressure:	
34.120	• 16 bar - standard
54.120	• 25 bar - option
35.120	• 40 bar - standard
55.120	

Actuation arrangement:	
• Hand lever	• Pneumatic actuator • Hydraulic actuator
• Worm gear	
• Electric actuator	
Sealing leakage test:	
PTFE+C	• DIN EN 12266-1 Leakage rate A
Stainless steel	• DIN EN 12266-1 Leakage rate B

Options on request

Parts				
Pos.	Sp.p.	Description	Fig. 34.120 / 35.120	Fig. 54.120 / 55.120
1		Body	1.0619+QT	1.4408
2		Disc	1.4408 (optional 1.4460)	
3		Pivot	1.4021+QT	1.4542
4		Bottom cover	1.4404	
5		Stem	1.4021+QT	1.4542
6		Pin	A4-70	
7		Bushing	P1	Inconel 625
8		Retaining ring	1.4122+QT	
9 / 24	x	Shim ³⁾	978-C / SIGRAFLEX HIGH PRESSURE (SIGRAFLEX HIGH PRESSURE for steam version)	
10	x	Seat ring	CS: 1.4404 (optional: 1.4539) TS: PTFE+C; special material on request	
11		Counter flange	1.0425	1.4404
12		Socket screw	A4-70	
14		Back-up-ring	1.4404	
15	x	Box packing	Graphite	
16		Shaft seal bushing	1.4404	
17 / 18	x	O-ring	EPDM / FPM (Not fitted in steam version)	
19		Gland	1.4301 (DN 80-125); 1.4408 (DN 150-800)	
21		Key	A4	
22		Axial-washer	P1	Inconel 625
23	x	Bottom cover gasket	978-C / SIGRAFLEX HIGH PRESSURE (SIGRAFLEX HIGH PRESSURE for steam version)	
26		Socket screw	A4-70	
30		Mounting bracket	1.0576 (galvanized)	
31		Socket screw	A4-70	
32		Hexagon nut	A4-70	
33		Retaining washers pair	A4	
34		Stud	A4-70	
35		Hexagon nut	A4-70	
L Spare parts				

³⁾ Only for CS-version

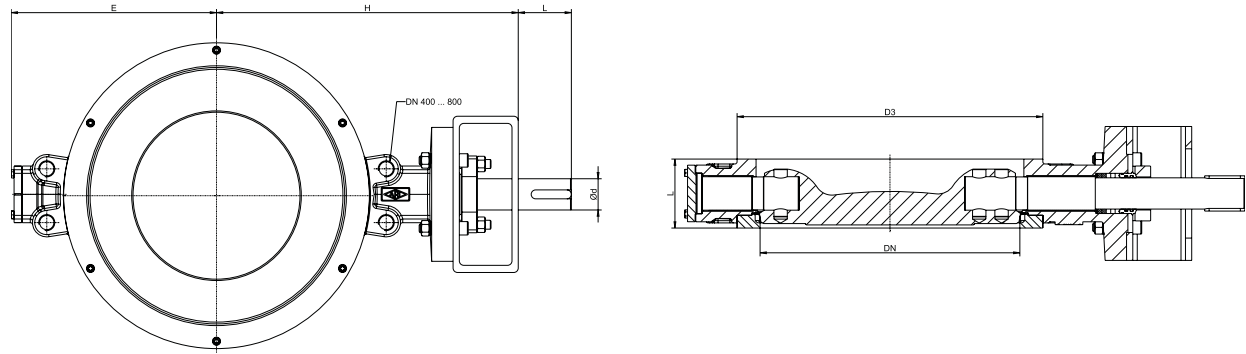
Information / restriction of technical rules need to be observed!

The engineer, designing a system or a plant, is responsible for the selection of the correct valve.

Resistance and suitability must be verified (contact manufacturer for information, refer to Product overview)

TS = PTFE+C (Teflon) seal and Stainless steel disc

CS = Chromed seating and Stainless steel disc



DN	80	100	125	150	200	250	300	350	400	450	500	600	700	800
----	----	-----	-----	-----	-----	-----	-----	-----	-----	-----	-----	-----	-----	-----

Face-to-face dimension acc. to ISO 5752 / DIN EN 558-1			80	100	125	150	200	250	300	350	400	450	500	600	700	800
L Series 20 (short pattern)	(mm)	46	52	56	56	60	68	78	78	102	114	127	154	165	190	
L Series 25 (middle pattern)	(mm)	49	56	64	70	71	76	83	92	-	-	-	-	-	-	
L Series 16 (long pattern; not available in 1.4408)	(mm)	64	64	70	76	89	114	114	127	140	152	152	178	229	241	

Dimensions			80	100	125	150	200	250	300	350	400	450	500	600	700	800
Ød	(mm)	15	20	20	25	25	30	35	40	50	50	60	70	70	90	
D3	(mm)	138	158	188	212	268	320	370	430	482	530	585	685	785	885	
E	(mm)	112	129	141	156	197	230	273	305	331	356	385	445	495	563	
H	(mm)	144	168	179	199	224	269	308	335	380	408	458	530	602	650	
l	(mm)	45	52	52	58	58	63	69	75	86	86	103	119	119	125	
Flange ISO 5211			F07	F07	F07	F10	F12	F12	F14	F14	F16	F16	F16	F25	F30	F30

Weights for wafer type high performance valve			80	100	125	150	200	250	300	350	400	450	500	600	700	800		
1.0619+QT	Fig. 34./35.120	short pattern	(kg)	8	11	12	19	26	35	51	70	99	127	169	286	367	569	
		middle pattern		8	11	13	21	28	37	53	75	-	-	-	-	-	-	-
		long pattern		9	12	14	22	32	48	63	91	119	148	185	304	424	-	-
1.4408	Fig. 54./55.120	short pattern	(kg)	8	11	12	19	26	35	51	70	99	127	169	286	367	569	
		middle pattern		8	11	13	21	28	37	53	75	-	-	-	-	-	-	-

Pressure-temperature-ratings		Intermediate values for max. permissible operational pressure can be determined by linear interpolation of the given temperature / pressure chart.							
acc. to manufacturers standard	PN	-40 °C to < -10 °C	-10 °C to 50 °C	120 °C	150 °C	200 °C	250 °C	260 °C	
1.0619+QT	10 (bar)	10	10	9,2	8,8	8,3	7,6	7,5	
1.0619+QT	16 (bar)	16	16	16	15,3	14	13	12,6	
1.0619+QT	25 (bar)	25	25	25	23,9	22	20	19,4	
1.0619+QT	40 (bar)	40	40	40	38,1	35	32	31,2	
acc. to DIN EN 1092-1	PN	-40 °C to < -10 °C	-10 °C to 100 °C	150 °C	200 °C	250 °C	260 °C		
1.4408	10 (bar)	10	10	9	8,4	7,9	7,8		
1.4408	16 (bar)	16	16	14,5	13,4	12,7	12,5		
1.4408	25 (bar)	25	25	22,7	21	19,8	19,5		
1.4408	40 (bar)	40	40	36,3	33,7	31,8	31,4		

Operating limits sealing element ¹⁾		Intermediate values for max. differential pressure can be determined by linear interpolation of the given temperature / pressure chart.									
Sealing PTFE+C (TS)		-40 °C	0 °C	50 °C	100 °C	120 °C	150 °C	180 °C	200 °C	250 °C	260 °C
		25	25	25	25	25	14,5	4	-	-	-

¹⁾ Note additional restrictions of the pressure-temperature-ratings!

DN	80	100	125	150	200	250	300	350	400	450	500	600	700	800
----	----	-----	-----	-----	-----	-----	-----	-----	-----	-----	-----	-----	-----	-----

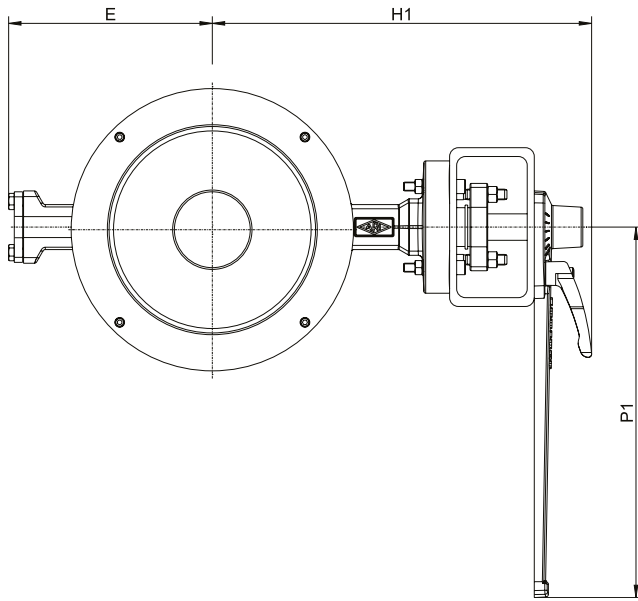
Max. differential pressure			80	100	125	150	200	250	300	350	400	450	500	600	700	800
Sealing PTFE+C (TS)	Disc Side	(bar)	25	25	25	25	25	25	16	16	16	16	16	16	-	-
	Shaft Side	(bar)	25	25	25	25	25	25	25	25	16	16	16	16	16	-
	Bi-directional	(bar)	-	-	-	-	-	-	-	-	-	-	-	-	-	-
Sealing stainless steel (CS)	Disc Side	(bar)	40	40	40	40	40	25	25	25	16	16	16	16	16	16
	Shaft Side	(bar)	25	25	25	25	25	25	16	16	16	16	16	16	16	16
	Bi-directional	(bar)	25	25	25	25	25	25	16	16	16	16	16	16	16	16

Operation torque for max. differential pressure 16 bar (bi-directional flow)			80	100	125	150	200	250	300	350	400	450	500	600	700	800	
PN 25 ²⁾	Sealing PTFE+C	Torque ³⁾	(Nm)	70	100	140	190	320	550	850	1300	1800	2400	3400	5500	-	-
	Sealing stainless steel		(Nm)	90	130	180	240	400	700	1100	1600	2200	3000	4200	6800	10000	13000
PN 40 ²⁾	Sealing stainless steel	(Nm)	135	180	250	285	505	-	-	-	-	-	-	-	-	-	

²⁾ max. differential pressure 16 bar!

³⁾ For steam duty use the next size up

ZEDOX® wafer type high performance valve with hand lever



Parts			
Pos.	Sp.p.	Description	Fig. 34./54.120
50	x	Hand lever	
L Spare parts			

DN	80	100	125	150	200 †
----	----	-----	-----	-----	-------

Dimensions						
E	(mm)	118	135	154	170	202
H1 (to middle of valve)	(mm)	281,5	306,5	317,5	350	395
P1	(mm)	300	300	300	420	420

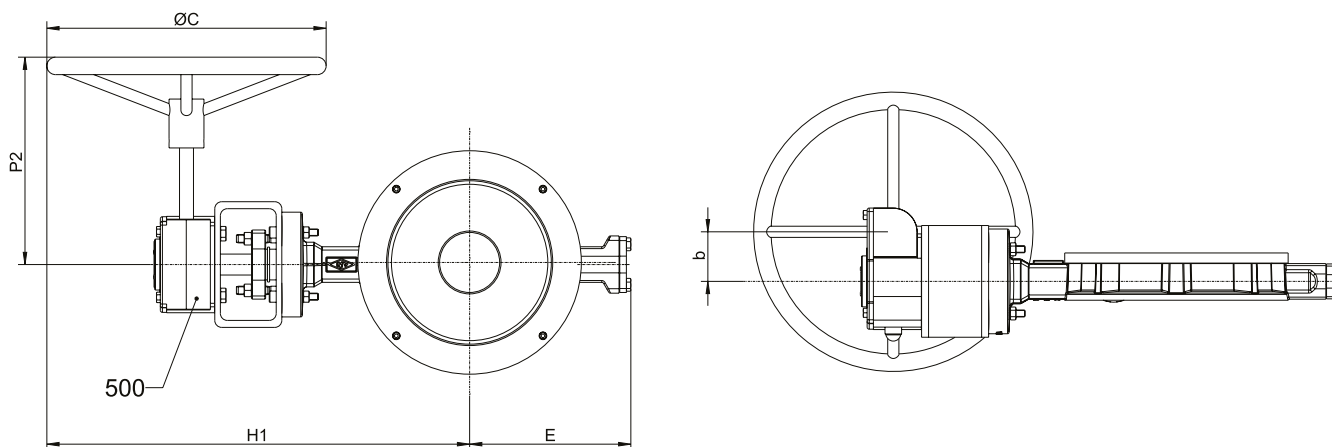
Weights with hand lever								
1.0619+QT	Fig. 34.120	short pattern	(kg)	10	12	13	21	28
		middle pattern	(kg)	10	12	14	23	30
		long pattern	(kg)	11	13	15	24	34
1.4408	Fig. 54.120	short pattern	(kg)	10	12	13	21	28
		middle pattern	(kg)	10	12	14	23	30

Hand lever not available for PN 40

ZEDOX® wafer type high performance valve with worm gear

Opening and closing of the valves with the handwheel.

The position of the disc can be seen on a position indicator on top of the gear.



Parts			
Pos.	Sp.p.	Description	Fig. 34./35./54./55.120
500	x	Worm gear	
	L Spare parts		

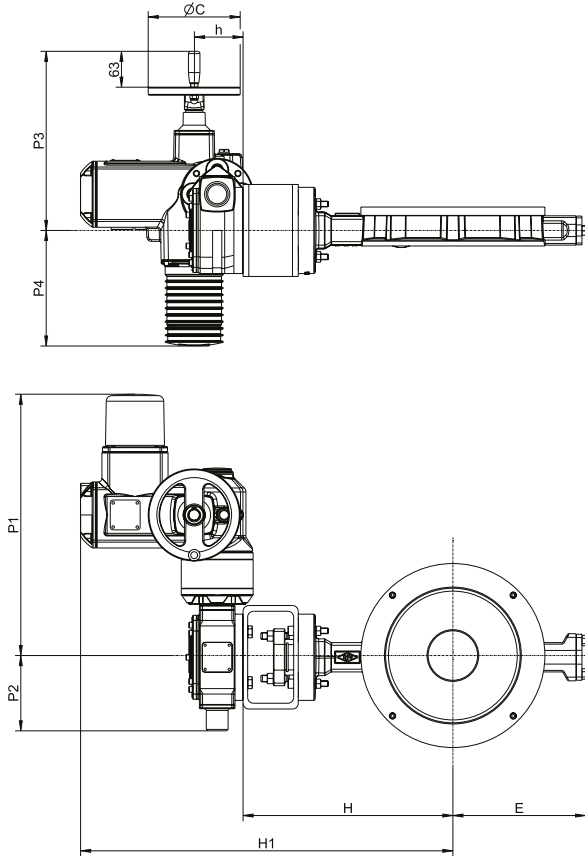
DN	80	100	125	150	200	250	300	350	400	450	500	600	700	800
----	----	-----	-----	-----	-----	-----	-----	-----	-----	-----	-----	-----	-----	-----

Dimensions																
b	(mm)	52	52	52	71	71	71	71	86	86	53	53	53	182	182	
ØC	(mm)	200	200	200	200	200	300	400	400	500	500	500	500	500	500	
E	(mm)	118	135	154	170	202	231	273	305	333	358	394	460	510	570	
H1	(mm)	344	369	380	416	461	556	645	673	768	810	880	982	1107	1155	
P2	(mm)	217	217	217	249	249	284	297	285	305	348	348	348	470	470	
Type of gear		AB210 -10N	AB210 -10N	AB210 -10N	AB550N	AB550N	AB550N	AB550N	AB880N	AB2000N	AB2000N	AB2000N	AB2000N	AB6800N -PR4	AB6800N -PR4	

Weights with manual gear Rotork ¹⁾																	
1.0619+QT	Fig. 34./35.120	short pattern	(kg)	14	16	17	29	36	46	62	87	117	155	197	314	433	635
		middle pattern	(kg)	14	16	18	31	38	48	64	92	-	-	-	-	-	-
		long pattern	(kg)	15	17	19	32	42	59	74	108	137	176	213	332	490	-
1.4408	Fig. 54./55.120	short pattern	(kg)	14	16	17	29	36	46	62	87	117	155	197	314	433	635
		middle pattern	(kg)	14	16	18	31	38	48	64	92	-	-	-	-	-	-

¹⁾ Weight of hand wheel is not included

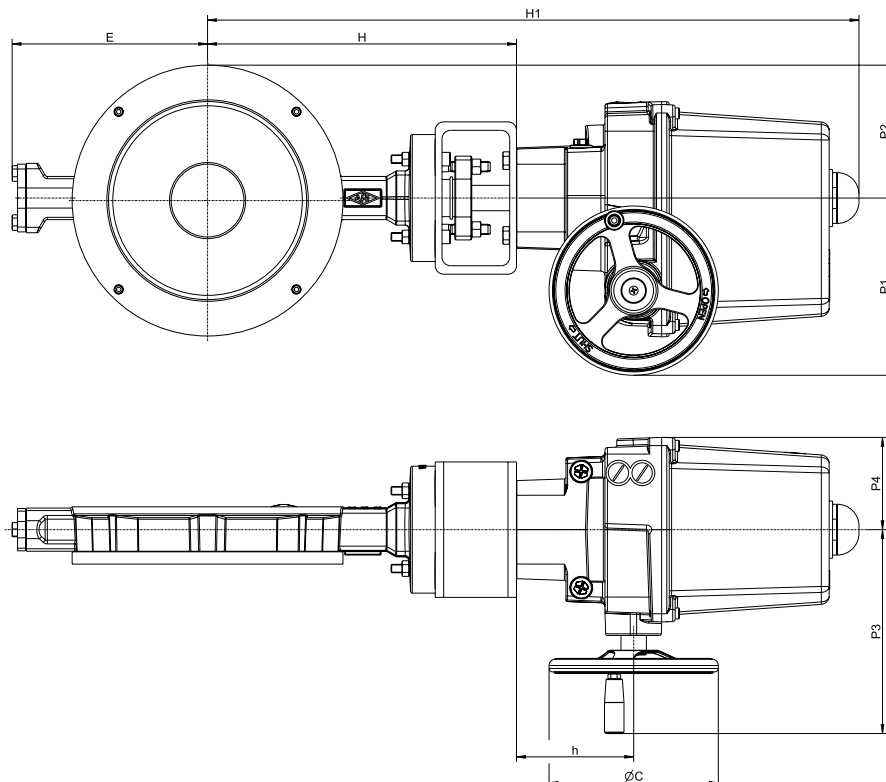
ZEDOX® Wafer type high performance valve with electric rotary actuator Auma



DN		80	100	125	150	200	250	300	350	400	450	500	600	700	800
Dimensions															
ØC	(mm)	160	160	160	160	160	160	200	200	160	160	160	200	160	160
E	(mm)	118	135	154	170	202	231	273	305	333	358	394	460	510	570
h	(mm)	80	80	80	80	85	85	107	107	115	115	115	125	130	130
H	(mm)	215	240	251	275	320	365	404	431	476	504	574	676	798	846
H1	(mm)	493	518	529	553	603	648	709	736	789	817	887	999	1126	1174
P1	(mm)	388	388	388	388	413	413	420	420	547	547	547	554	698	698
P2	(mm)	98	98	98	98	128	128	133	133	189	189	189	194	331	331
P3	(mm)	299	299	299	299	312	312	334	334	349	349	349	379	409	409
P4	(mm)	215	215	215	215	202	202	203	203	165	165	165	158	175	175
Type of actuator PN 25 max. differential pressure 16 bar, for CS- and TS-version		SA07.2- GS50.3 (51:1)- F07	SA07.2- GS50.3 (51:1)- F07	SA07.2- GS50.3 (51:1)- F07	SA07.2- GS50.3 (51:1)- F10	SA07.6- GS63.3 (51:1)- F12	SA07.6- GS63.3 (51:1)- F12	SA10.2- GS80.3 (53:1)- F14	SA10.2- GS80.3 (53:1)- F14	SA07.6- GS100.3 (208:1)- F16	SA07.6- GS100.3 (208:1)- F16	SA07.6- GS100.3 (208:1)- F16	SA10.2- GS125.3 (208:1)- F25	SA07.6- GS160.3 (880:1)- F30	SA07.6- GS160.3 (880:1)- F30
Output drive	1/min	22	22	22	22	22	22	22	22	45	45	45	45	90	90
Operating time	s/90°	35	35	35	35	35	35	36	36	69	69	69	69	147	147
Type of actuator PN40 max. differential pressure 16 bar, only for CS-version		SA07.2- GS50.3 (51:1)- F07	SA07.2- GS50.3 (51:1)- F07	SA07.2- GS50.3 (51:1)- F07	SA07.2- GS50.3 (51:1)- F10	SA07.6- GS63.3 (51:1)- F12									
Output drive	1/min	22	22	22	22	22									
Operating time	s/90°	35	35	35	35	35									

Weights with electric actuator																	
1.0619+QT	Fig. 34./35.120	short pattern	(kg)	35	38	39	46	59	68	92	111	159	187	229	357	479	681
		middle pattern	(kg)	35	38	40	48	61	70	94	116	-	-	-	-	-	-
		long pattern	(kg)	36	39	41	49	65	81	104	132	179	208	245	375	536	-
1.4408	Fig. 54./55.120	short pattern	(kg)	35	38	39	46	59	68	92	111	159	187	229	357	479	681
		middle pattern	(kg)	35	38	40	48	61	70	94	116	-	-	-	-	-	-

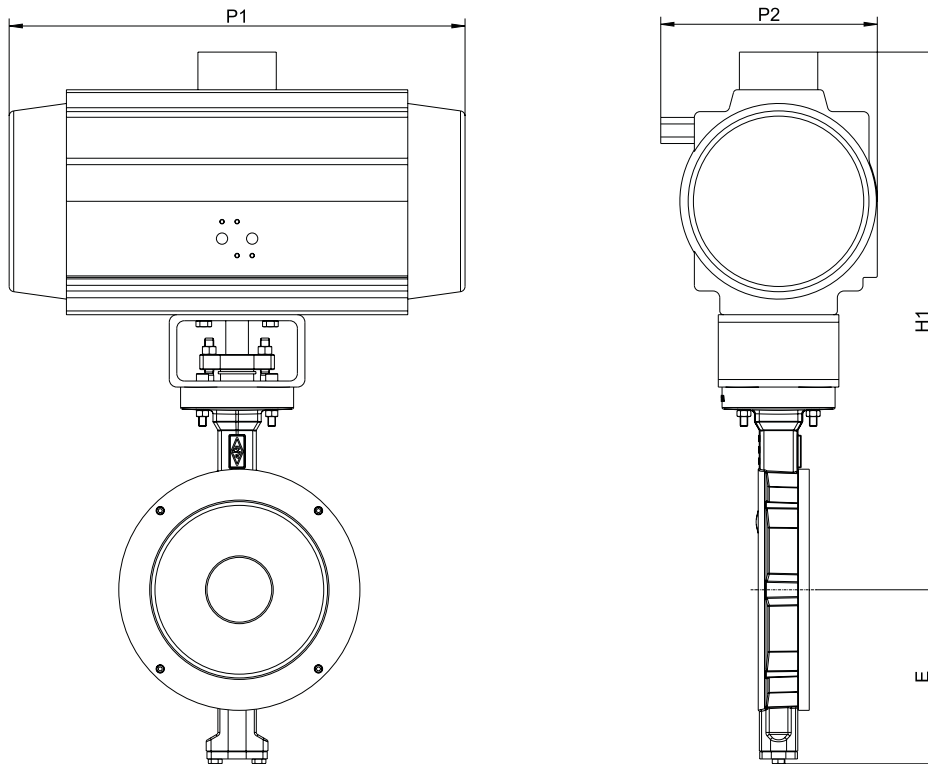
ZEDOX® Wafer type high performance valve with electric rotary actuator PSQ



DN		80	100	125	150	200	250	300	350	400	450	500	600	700	800
Dimensions															
ØC	(mm)	126	126	200	200	200	200	250	200	200	200				
E	(mm)	118	135	149	170	202	230	273	305	333	386				
h	(mm)	77	77	98	98	138	139	139	342	342	342				
H	(mm)	215	240	251	282	320	365	404	431	476	476				
H1	(mm)	483	508	603	634	725	770	809	1039	1084	1084				
P1	(mm)	127	127	178	178	207	207	232	273	305	332				
P2	(mm)	100	114	131	131	182	207	239	273	305	332				
P3	(mm)	158	158	215	215	241	249	179	249	249	249				
P4	(mm)	79	79	93	93	109	109	109	109	140	140				
Type of actuator PN 25 PSQ (standard) max. differential pressure 16 bar, for CS- and TS-version		PSQ 103	PSQ 103	PSQ 203	PSQ 203	PSQ 503	PSQ 703	PSQ 1503	PSQ 2003	PSQ 2803	PSQ 3003				
Operating time (230 V AC / 50 Hz)	s/90°	32/57	32/57	20/28/69	20/28/69	29/43/93	29/43/93	75	120	120	120				
Operating time (24 V DC)	s/90°	36/65	36/65	16/60	16/60	43	43	60	172	172	172				
Type of actuator PN 25 PSQ (AMS) max. differential pressure 16 bar, for CS- and TS-version		PSQ 103 AMS1x	PSQ 103 AMS1x	PSQ 203 AMS1x	PSQ 203 AMS1x	PSQ 503 AMS12	PSQ 703 AMS13	PSQ 1503 AMS13	PSQ 2003 AMS13	PSQ 2803 AMS13	PSQ 3003 AMS13				
Operating time ¹⁾ (adjustable) 230 V AC or 24 V DC	s/90°	9-72	9-72	16-120	16-120	36-72	70-140	110-220	144-288	280-560	280-560				
Type of actuator PN 40 PSQ (standard) max. differential pressure 16 bar, for CS-version		PSQ 103	PSQ 203	PSQ 203	PSQ 203	PSQ 503									
Operating time (230 V AC / 50 Hz)	s/90°	32	20/28/69	20/28/69	69	93									
Operating time (24 V DC)	s/90°		16/60	16/60											
Type of actuator PN 40 PSQ (AMS) max. differential pressure 16 bar, for CS-version		PSQ 203 AMS1x	PSQ 203 AMS1x	PSQ 203 AMS1x	PSQ 503 AMS12	PSQ 703 AMS13									
Operating time ¹⁾ (adjustable) 230 V AC or 24 V DC	s/90°	16-120	16-120	16-120	36-72	70-140									
Weights with electric actuator															
1.0619+QT	Fig. 34./35.120	short pattern	(kg)	15	18	23	30	53	62	78	97	126	154		
		middle pattern	(kg)	15	18	24	32	55	64	80	102	-	-		
		long pattern	(kg)	16	19	25	33	59	75	90	118	146	175		
1.4408	Fig. 54./55.120	short pattern	(kg)	15	18	23	30	53	62	78	97	126	154		
		middle pattern	(kg)	15	18	24	32	55	64	80	102	-	-		

¹⁾ more voltages see data sheet of the actuators

ZEDOX® Wafer type high performance valve with pneumatic rotary actuator AIR-TORQUE



Shown in standard orientation of the actuator

DN		80	100	125	150	200	250	300	350	400	450	500
Dimensions												
E	(mm)	118	135	154	170	202	231	273	305	333	358	394
H1 ¹⁾	(mm)	402	447	477	546	615	714	837	891	1074	1102	1172
P1 ¹⁾	(mm)	333	395	423	474	528	605	812	855	950	950	950
P2 ¹⁾	(mm)	147	166	181	200	222	262	371	418	528	528	528
Type of actuator for max. differential pressure 16 bar ²⁾												
Spring closes low from disc side actuating pressure actuator 5 bar	TS	SC00220-5/6	SC00450-4	SC00450-5/6	SC00600-5/6	SC01200-5	SC02000-5	SC3000-5	SC4000-5/6	SC10000-4	SC10000-4/5	on request
	CS	SC00300-5/6	SC00450-5	SC00600-5/6	SC00900-5	SC01200-5/6	SC02000-5/6	SC4000-5	SC05000-5/6	SC10000-4	SC10000-5/6	
Spring closes low from disc side actuating pressure actuator 6 bar	TS	SC00220-5/6	SC00300-6	SC00450-5/6	SC00600-5/6	SC01200-5	SC02000-5	SC3000-5	SC4000-5/6	SC05000-6	SC10000-4/5	on request
	CS	SC00300-5/6	SC00450-5	SC00600-5/6	SC00900-5	SC01200-6	SC02000-6	SC4000-5	SC05000-5/6	SC10000-4	SC10000-5/6	
Spring closes flow from shaft side actuating pressure actuator 5 bar	TS	SC00220-4/5	SC00300-5	SC00450-4/5	SC00600-4/5	SC00900-5/6	SC02000-4	SC03000-4	SC04000-4/5	SC05000-5	SC10000-4	SC10000-5/6
	CS	SC00220-5/6	SC00450-4	SC00450-5/6	SC00600-5/6	SC001200-5	SC02000-5	SC03000-5/6	SC04000-5/6	SC10000-4	SC10000-4/5	on request
Spring closes flow from shaft side actuating pressure actuator 6 bar	TS	SC00220-4/5	SC00300-5	SC00450-4/5	SC00450-6	SC00900-5/6	SC02000-4	SC02000-6	SC04000-4/5	SC05000-5	SC10000-4	SC10000-5/6
	CS	SC00220-5/6	SC00450-4	SC00450-5/6	SC00600-5/6	SC001200-5	SC02000-5	SC03000-5/6	SC04000-5/6	SC05000-6	SC10000-4/5	on request

Weights with pneumatic actuator ¹⁾														
1.0619+QT	Fig. 34./35.120	short pattern	(kg)	20	27	33	51	68	102	196	232	326	354	396
		middle pattern	(kg)	20	27	34	53	70	104	198	237	-	-	-
		long pattern	(kg)	21	28	35	54	74	115	208	253	346	375	412
1.4408	Fig. 54./55.120	short pattern	(kg)	20	27	33	51	68	102	196	232	326	354	396
		middle pattern	(kg)	20	27	34	53	70	104	198	237	-	-	-

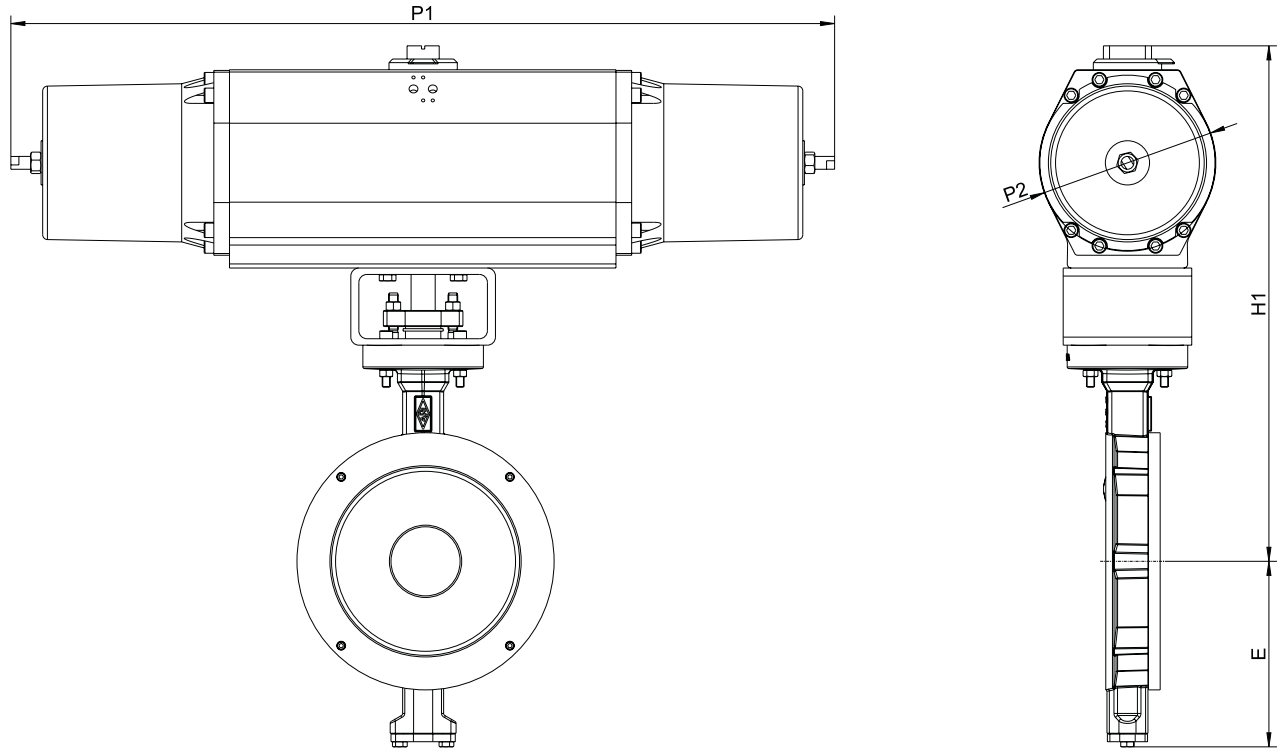
For steam duty use the next actuator up

¹⁾ with largest actuator option

²⁾ other differential pressures on request

Actuator bigger than DN 500 on request

ZEDOX® Wafer type high performance valve with pneumatic actuator Rotork RC



Shown in standard orientation of the actuator

DN		80	80 (PN40)	100	125	150	200	250	300	350	400 ²⁾	450 ²⁾	500 ²⁾
Dimensions													
E	(mm)	118	118	135	154	170	202	231	273	305	333	358	394
H1 ¹⁾	(mm)	393	393	418	429	453	602	648	897	924	969	787	1067
P1 ¹⁾	(mm)	375	570	570	570	570	655	1020	1020	1020	1020	600	600
P2 ¹⁾	(mm)	144	144	144	144	144	220	220	220	220	220	380	380
Type of actuator spring closes ¹⁾		RC250-SR	RC260-SR	RC260-SR	RC260-SR	RC260-SR	RC270-SR	RC280-SR	RC88-SR	RC88-SR	RC88-SR	RCG100	RCG100
Type of actuator double acting ¹⁾		RC230-DA	RC230-DA	RC240-DA	RC240-DA	RC250-DA	RC260-DA	RC260-DA	RC270-DA	RC280-DA	RC280-DA	RC280-DA	RC-88-DA

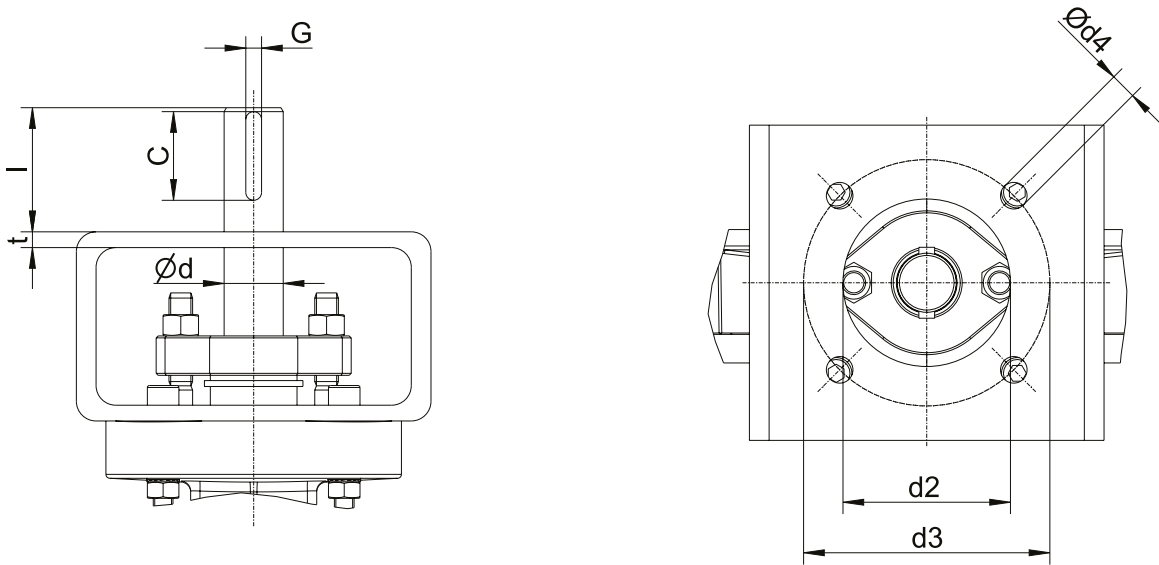
Weights with pneumatic actuator															
1.0619+QT	Fig. 34./35.120	short pattern	(kg)	24	29	31	32	39	84	116	194	113	242	182	248
		middle pattern	(kg)	24	29	31	33	41	86	118	196	118	-	-	-
		long pattern	(kg)	25	30	32	34	42	90	129	206	134	262	203	264
1.4408	Fig. 54./55.120	short pattern	(kg)	24	29	31	32	39	84	116	194	113	242	182	248
		middle pattern	(kg)	24	29	31	33	41	86	118	196	118	-	-	-

¹⁾ At air pressure 6 bar

²⁾ Δ P max = 16 bar

Actuator bigger than DN 500 on request

Actuator flange connection, with 2 parallel keys 180° rotated

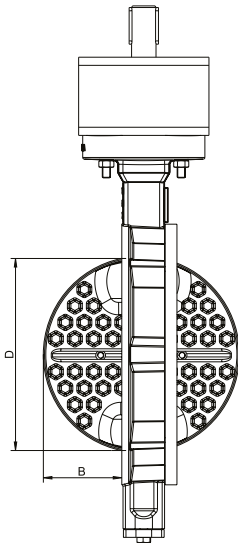


DN		80	100	125	150	200	250	300	350	400	450	500	600	700	800
Connection EN ISO 5211		F07			F10	F12		F14		F16			F25	F30	
Ød (stem diameter)	(mm)	15	20	20	25	25	30	35	40	50	50	60	70	70	90
Ød2 (inside diameter)	(mm)	55			70	85		100		130			200	230	
Ød3 (screw-hole circle diameter)	(mm)	70			102	125		140		165			254	298	
n x Ød4 (Number x hole-Ø)	(mm)	4x9			4x11	4x14		4x18		4x22			8x18	8x22	
C (parallel key length)	(mm)	25	36	36	45	45	45	45	50	63	63	90	110	110	125
G (parallel key width)	(mm)	5	6	6	8	8	8	10	12	14	14	18	20	20	25
l (bare stem length)	(mm)	45	52	52	58	58	63	69	75	86	83	103	119	119	125
t (mounting bracket wall thickness)	(mm)	8	8	8	8	8	8	8	8	8	8	8	14	14	14



Kvs-value / Zeta-value															
DN		80	100	125	150	200	250	300	350	400	450	500	600	700	800
Kvs-value	(m³/h)	187	291	609	888	1944	3498	4949	7272	11220	16800	20165	29070	34200	41250
Zeta-value	--	1,87	1,89	1,0	1,03	0,68	0,51	0,53	0,45	0,33	0,23	0,25	0,25	0,33	0,38

Difference between disc outside-diameter and face-to-face															
DN		80	100	125	150	200	250	300	350	400	450	500	600	700	800
B	(mm)	20	27	38	50	73	97	110	138	150	172	192	219	260	300
D	(mm)	66	83	108	134	185	236	280	333	378	429	475	567	665	759





Your valve made by ARI®
ari-armaturen.com

ARI-ZEDOX®
High performance valve wafer type



Your valve made by ARI®
ari-armaturen.com

ARI-Armaturen Albert Richter GmbH & Co. KG, D-33750 Schloß Holte-Stukenbrock,
Tel. +49 (0)5207 / 994-0, Telefax +49 (0)5207 / 994-297 oder 298 Internet: <https://www.ari-armaturen.com> E-mail: info.vertrieb@ari-armaturen.com